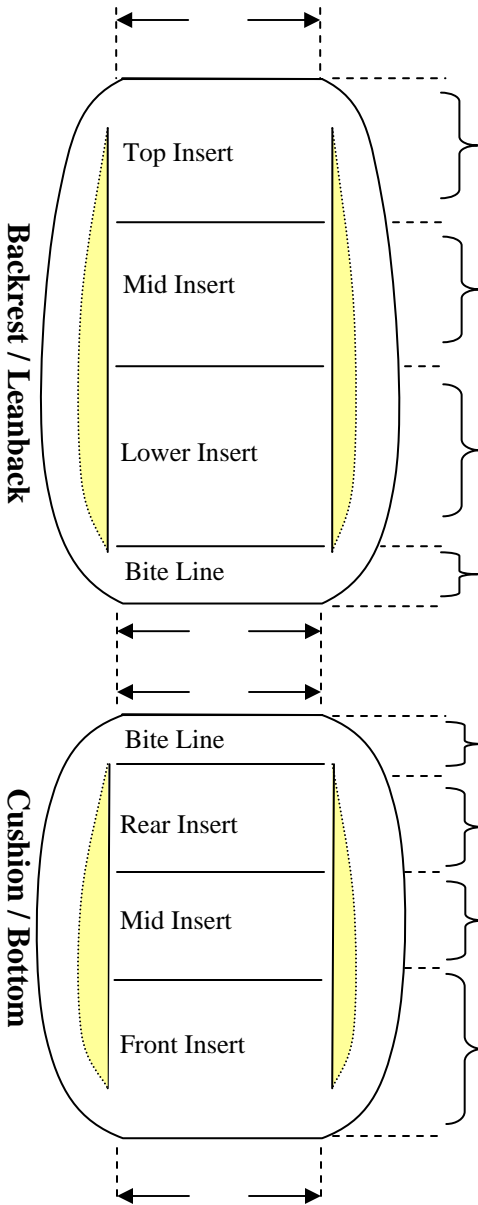




Seat Heater Measuring Template

Phone: 800-927-6787
 Fax: **248-680-2326**

E-mail:
 sales@checkcorp.com



Instructions: Measure the inserts to give us the size of each rectangle. Provide information about tie-downs and decorative stitching.

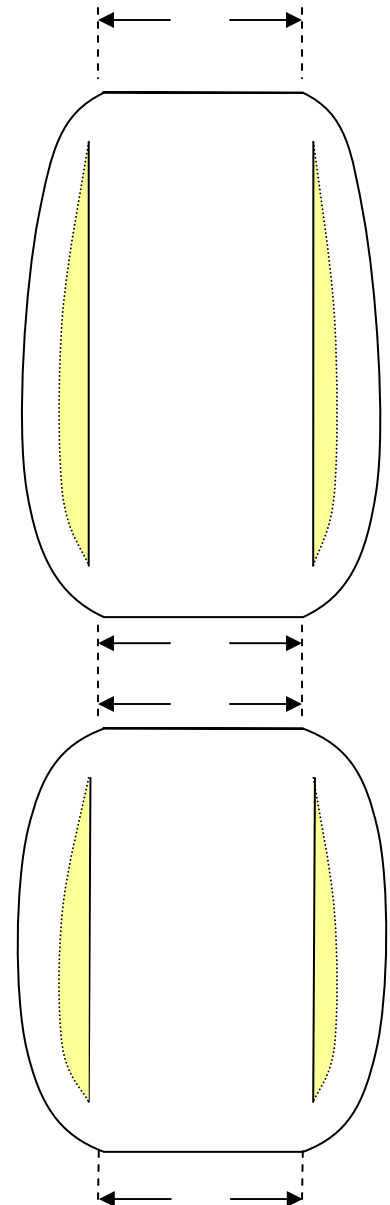
← **Normal Seat**
Draw your own →

Please draw a line on the seat if there is a listing down the center from top to bottom or front to rear.



Clamshell seat
 Driver?
 Passenger?

Rear Seats
 How does the seat fold?



YOUR CONTACT INFORMATION

VEHICLE INFORMATION

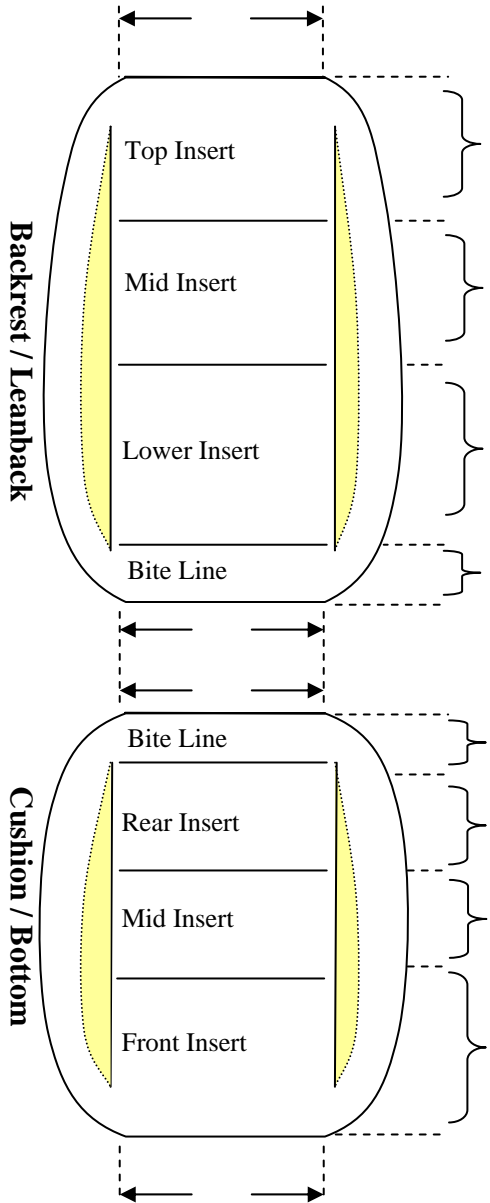
Name:		Model Year:	
Company:		Manufacturer:	
Phone Number:		Model:	
Date:		Model Trim Level:	
Your Sales Rep:		Factory Upholstery:	



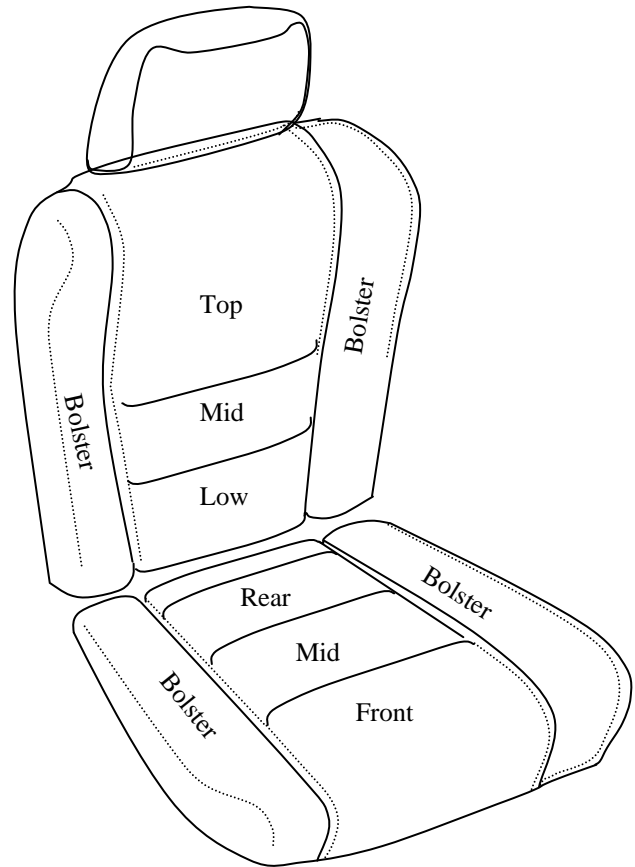
Seat Heater Measuring Template

Phone: 800-927-6787
 Fax: **248-680-2326**

E-mail:
 sales@checkcorp.com



Instructions: Measure each insert (rectangle of upholstery between the bolsters) for length and width. We want the size of each individual insert. If you see stitching in the upholstery that is decorative only, or if there is a line down the center of the seat from top to bottom, please let us know. For best results, provide information about the upholstery foam backing density and thickness.



YOUR CONTACT INFORMATION

VEHICLE INFORMATION

Name:		Model Year:	
Company:		Manufacturer:	
Phone Number:		Model:	
Date:		Model Trim Level:	
Your Sales Rep:		Factory Upholstery:	